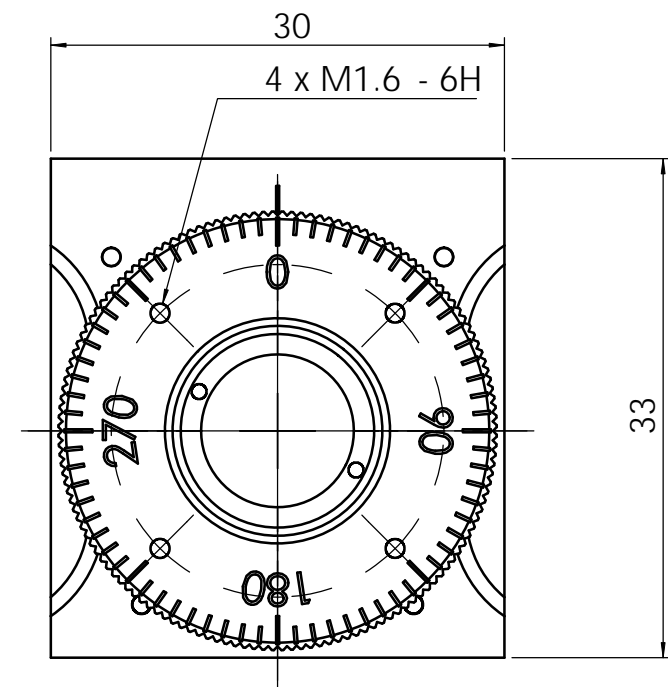
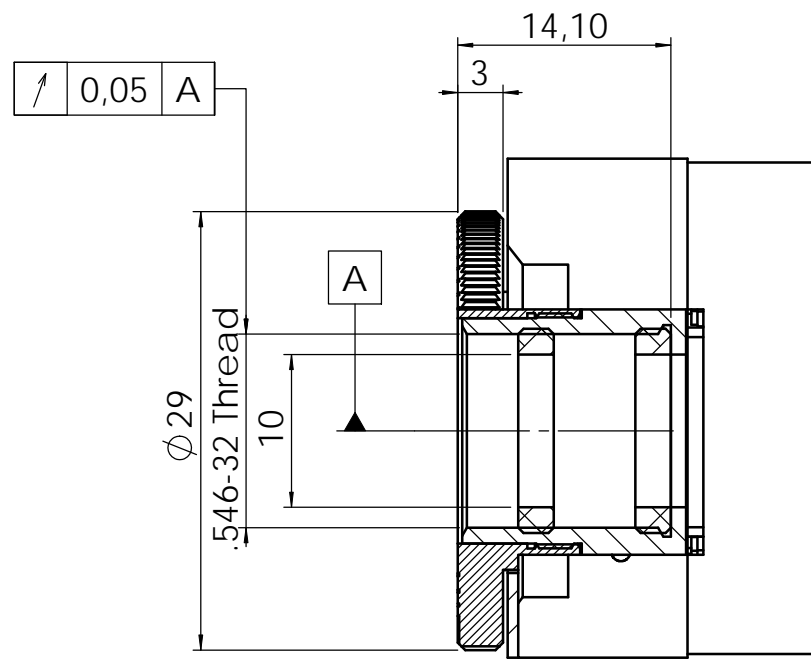
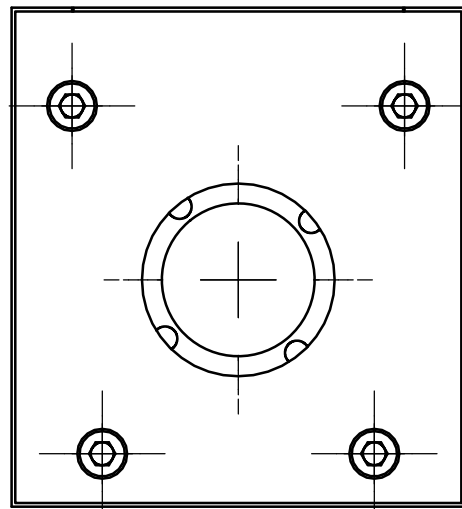
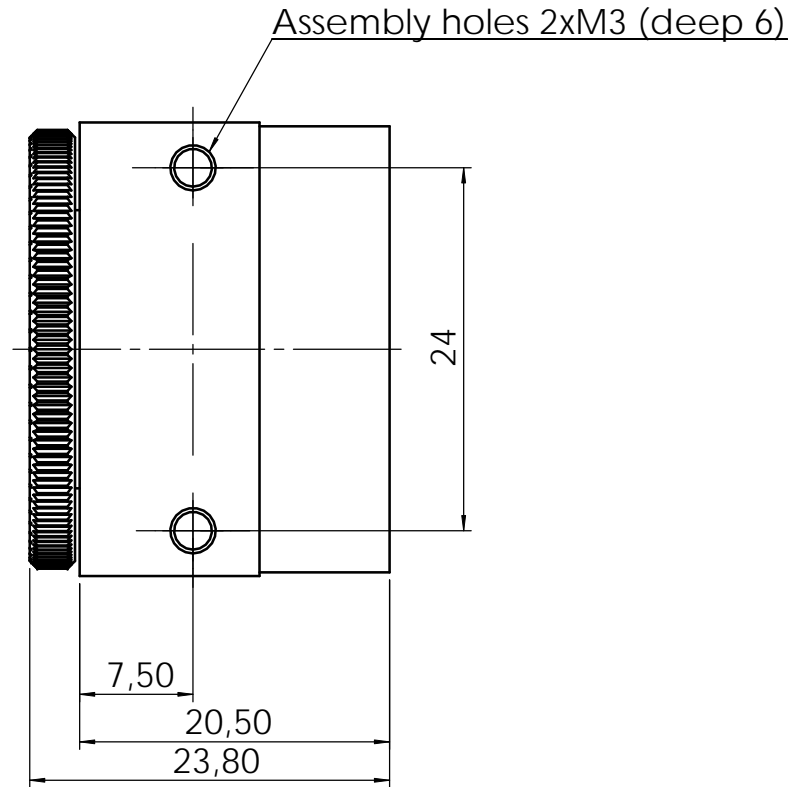
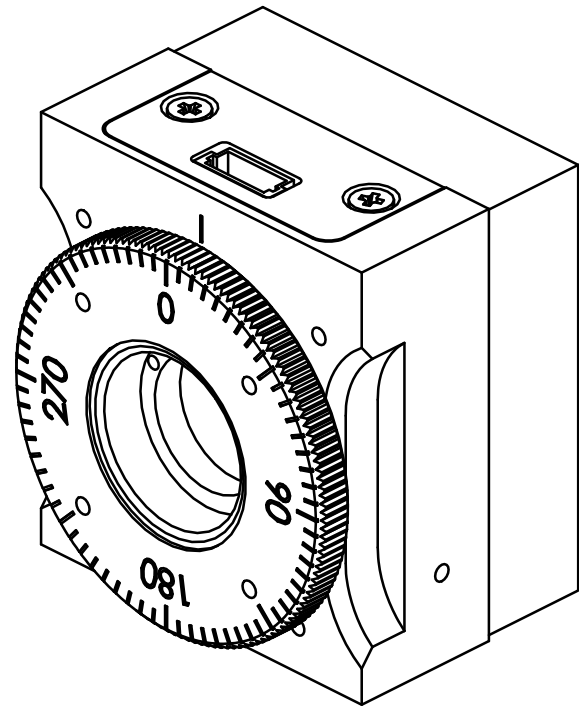


THE INFORMATION CONTAINED IN THIS DRAWING IS THE SOLE PROPERTY OF Piezomotor Uppsala AB ANY REPRODUCTION IN PART OR WHOLE WITHOUT THE WRITTEN PERMISSION OF Piezomotor Uppsala AB IS PROHIBITED.



UNLESS OTHERWISE SPECIFIED
DIMENSIONS ARE IN MM
TOLERANCES ARE: ISO 2768-1fin
FRACTIONS DECIMALS ANGLES
+ .XX+ .XX + 1
.XXX+.XXX
MATERIAL
FINISH
DO NOT SCALE DRAWING

CAD GENERATED DRAWING, DO NOT MANUALLY UPDATE	
APPROVALS	DATE
DRAWN PBN	2009-01-19
REVIEWED HSM	2008-02-01
APPROVED ALN	2008-02-01

WAVEPLATE MOTOR 12,9mm

SIZE A3	DWG. NO. RAC300-31001	REV. 01
SCALE 2:1 CAD FILE: RAC300-31001 Waveplate motor 12,9 mm SHEET 1 OF 1		

