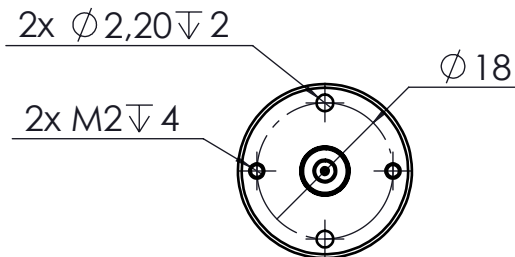
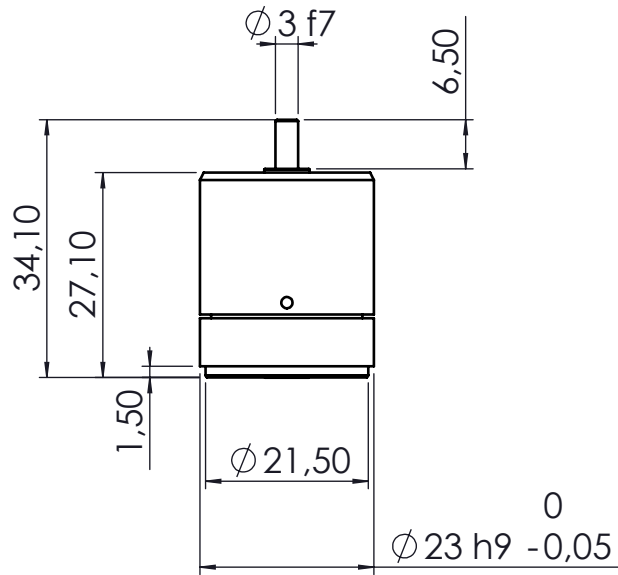
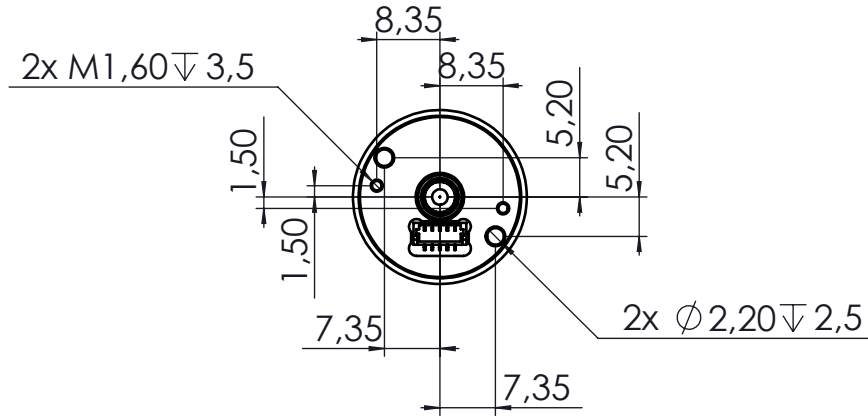


THE INFORMATION CONTAINED IN THIS DRAWING IS THE SOLE PROPERTY OF  
Piezomotor Uppsala AB ANY REPRODUCTION IN PART OR WHOLE WITHOUT  
THE WRITTEN PERMISSION OF Piezomotor Uppsala AB IS PROHIBITED.

Rev	Description
01	Tolerance $\varnothing 23$ h9 added



UNLESS OTHERWISE SPECIFIED  
DIMENSIONS ARE IN MM  
TOLERANCES ARE: ISO 2768-1fin  
THREADS ARE: ISO 965-1,2 6H/6g  
DIAMETER H12/h12      ANGLES  $\pm 1^\circ$

MATERIAL

FINISH

DO NOT SCALE DRAWING

CAD GENERATED DRAWING,  
DO NOT MANUALLY UPDATE

APPROVALS		DATE
DRAWN	LHR	2010-05-20
REVISED	LHR	2010-06-03
REVIEWED	PBN	2010-06-03
APPROVED	ALN	2010-06-03
SCALE	1:1	



PiezoLEGS Rotating-S

SIZE A4	DWG. NO. LEGS-R01S-12	REV. 01
CAD FILE: LEGS-R01S-12.00		SHEET 2 OF 2



$\varnothing$