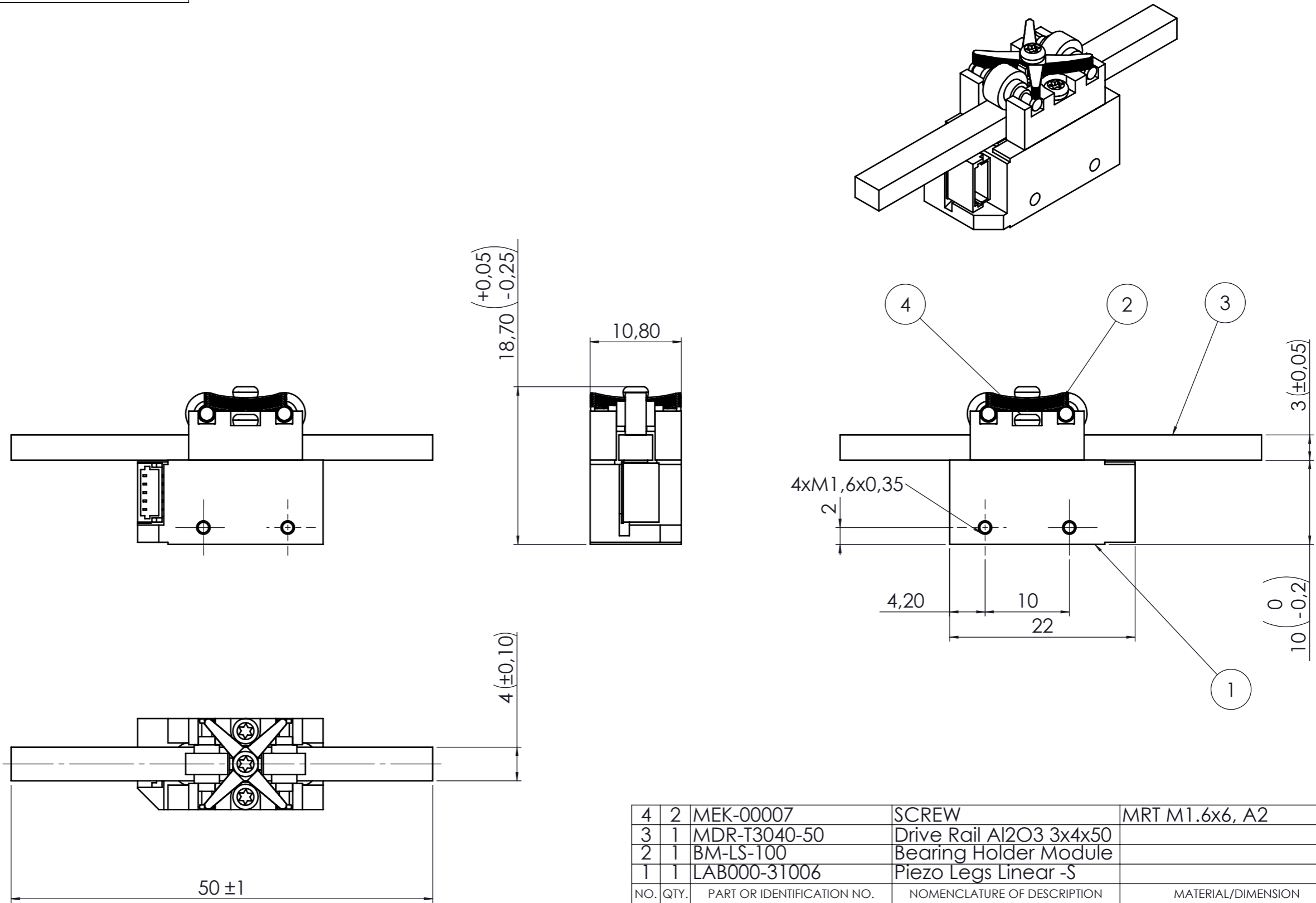
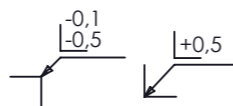


THE INFORMATION CONTAINED IN THIS DRAWING IS THE SOLE PROPERTY OF Piezomotor Uppsala AB ANY REPRODUCTION IN PART OR WHOLE WITHOUT THE WRITTEN PERMISSION OF Piezomotor Uppsala AB IS PROHIBITED.



Unless otherwise stated:  
Sharp edges and corners acc. to ISO 13 715:



Surface finish:  $\sqrt{Ra\ 1.6}$   
Dimensions valid after surface treatment

NO.	QTY.	PART OR IDENTIFICATION NO.	NOMENCLATURE OF DESCRIPTION	MATERIAL/DIMENSION	NOTE
4	2	MEK-00007	SCREW	MRT M1.6x6, A2	
3	1	MDR-T3040-50	Drive Rail Al2O3 3x4x50		
2	1	BM-LS-100	Bearing Holder Module		
1	1	LAB000-31006	Piezo Legs Linear -S		

PARTS LIST

UNLESS OTHERWISE SPECIFIED DIMENSIONS ARE IN MM TOLERANCES ARE: ISO 2768-1fin THREADS ARE: ISO 965-1,2 6H/6g DIAMETER H12/h12		CAD GENERATED DRAWING, DO NOT MANUALLY UPDATE	
MATERIAL		APPROVALS	DATE
FINISH		DRAWN	2009-01-26
DO NOT SCALE DRAWING		REVIEWED	
		REVIEWED	2009-01-26
		APPROVED	2009-01-26
		SCALE	2:1

APPROVALS		DATE
DRAWN		2009-01-26
REVIEWED		
REVIEWED		2009-01-26
APPROVED		2009-01-26
SCALE		2:1

PiezoMotor

PiezoLEGS Linear -S

SIZE A3	DWG. NO. LEGS-L01S-11	REV. 00
CAD FILE: LEGS-L01S-11-WCY		SHEET 1 OF 1