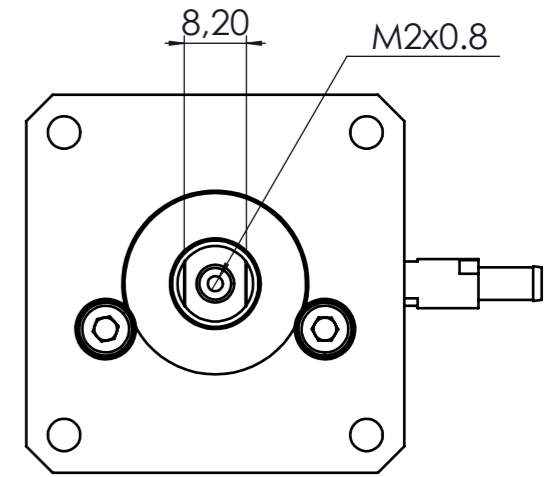
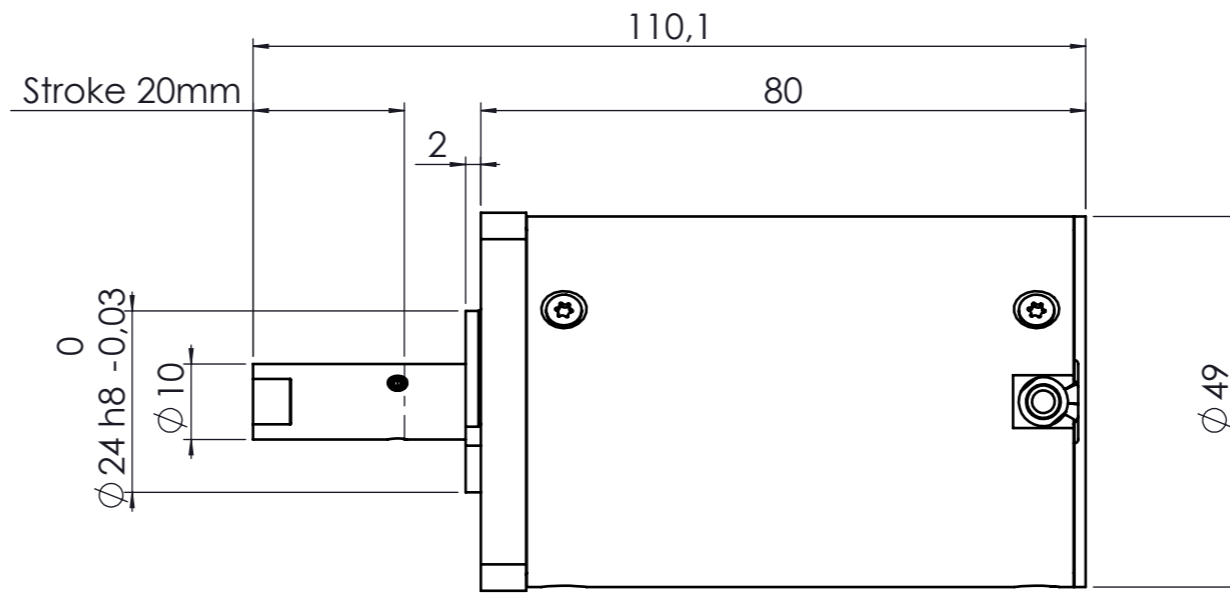
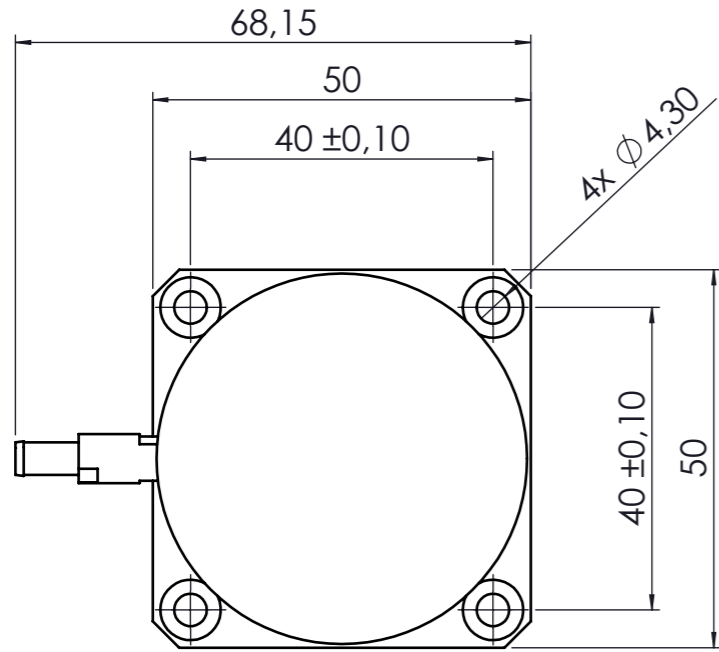


THE INFORMATION CONTAINED IN THIS DRAWING IS THE SOLE PROPERTY OF Piezomotor Uppsala AB ANY REPRODUCTION IN PART OR WHOLE WITHOUT THE WRITTEN PERMISSION OF Piezomotor Uppsala AB IS PROHIBITED.



UNLESS OTHERWISE SPECIFIED
 DIMENSIONS ARE IN MM
 TOLERANCES ARE: ISO 2768-1 fin
 THREADS ARE: ISO 965-1,2 6H/6g
 DIAMETER H12/h12 ANGLES ±1°

MATERIAL

FINISH

DO NOT SCALE DRAWING

CAD GENERATED DRAWING,
 DO NOT MANUALLY UPDATE

APPROVALS DATE

DRAWN LHR 2009-07-08

REVISED

REVIEWED

MBL 2009-07-08

APPROVED

POL 2009-07-08

SCALE 1:1



BigLEGS 300 N wide

SIZE A3 DWG. NO. LEGS-BL01S-11

REV. 00

CAD FILE: LEGS-BL01S-11 00 SHEET 1 OF 1

